

PRODUCT DATASHEET

Fine workmanship Die-cast aluminum Linear Light
HYD-T19-40W 6500K



Application

- Office
- School
- Corridor
- Meeting room
- Shop

Benefits

- Flicker free
- Protection against water & dust, IP65
- Linear lamp body to achieve geometric design, free splicing, decorating space
- It can be installed in various ways, such as ceiling, hoisting and embedding, to achieve rich light and shadow space design

Features

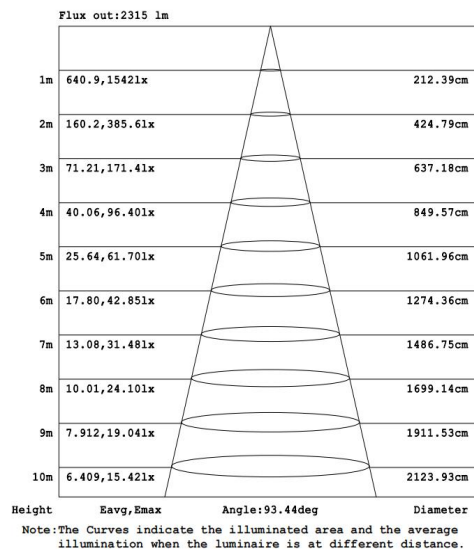
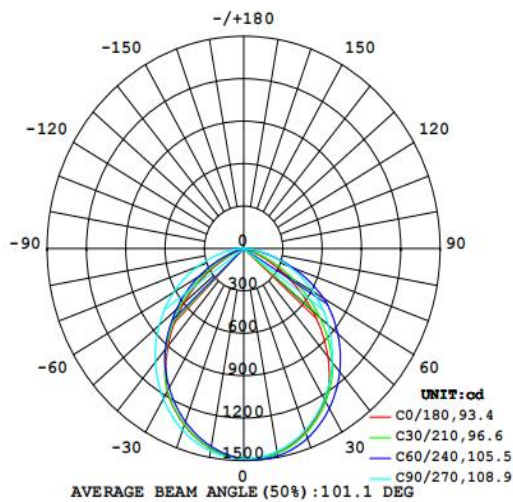
- Clear PC Lenses
- Warranty 5 years
- Easy and quick installation
- Die-cast aluminum body for better heat dissipation, anti-corrosion

Electrical Data

Nominal wattage (W)	40W
Nominal Voltage (V)	220-240 V
Mains Frequency (Hz)	50/60 Hz
Nominal Current (mA)	183
LED Driver Current (mA)	1000
LED Driver Voltage (Vdc)	25-40
LED Driver Efficiency (%)	...
Power Factor λ	0.8C-0.95
Total harmonic distortion (%)	...
Operating mode	Built in LED driver

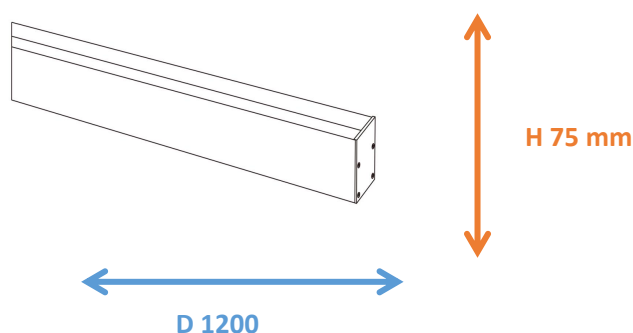
Photometrical data

Luminous flux $\pm 10\%$ (lm)	3558 lm
Luminous efficacy	91 lm/w
Color temperature	6500K
Light color (designation)	Cold White
Color rendering index Ra	≥ 80
Standard deviation of color matching	≤ 5 SDCM
Luminous intensity/cd	1538
Flickering	Flicker free
Beam angle	101 °



Dimensions & Weight

Diameter (mm)	1200*50
Height (mm)	75
Product weight (g)	1752



Material & Colors

Product color	All White
Housing color	White
Body material	Aluminum
Cover material	PC
Reflector color	White
Mercury content	0.0 mg

Application & Mounting

Ambient temperature range	-20°C - +45 °C
Temperature range at storage	-25°C - +60 °C
Type of connection	Screw terminal
Type of protection	IP20
Dimmable	No
Mounting type	Surface mounted
Mounting location	Ceiling
Application environment	Indoor
Cut size (mm)	No
LED module replaceable	Not replaceable
With light source	Yes

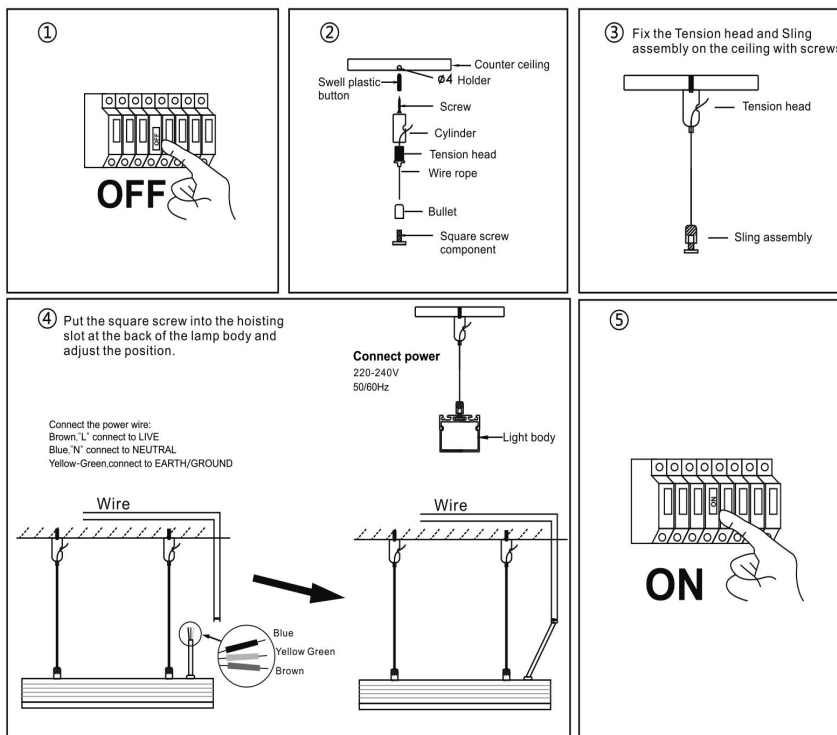
Certificates & Lifespan

Life (h)	50,000
Certificates	CB CE LVD EMC
Standards	ISO9001:2015

Logistical Data

Product code	Dimensions (L*W*H)	Pcs/ carton	G.W. kg	Volume CBM
HYD-T19-40W

Installation Method



Disclaimer

Subject to change without notice. Errors and omission excepted. Always make sure to use the most recent release.